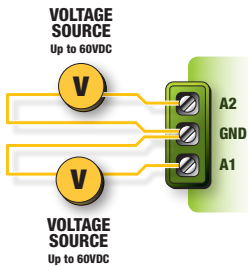


# 16 Analog Inputs

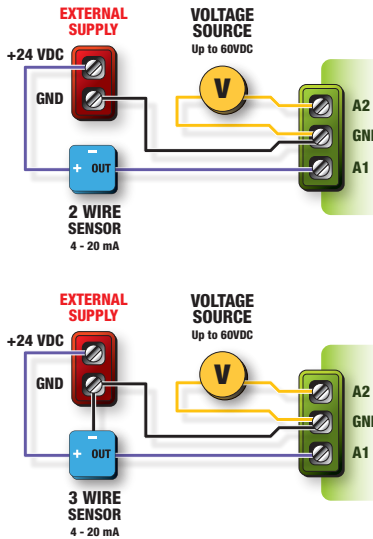
**NN-AIN-02**  
1011-A010202A

## Voltage



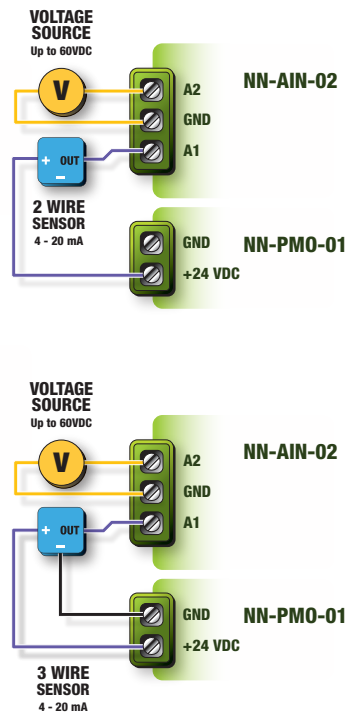
## Voltage & Current

### External Supply



## Voltage & Current

### Internal Supply



## Features/Benefits

- ✓ Highest density analog input module.
- ✓ Extra wide input range, high resolution inputs.
- ✓ Integrated diagnostic features makes fault finding easy.
- ✓ Software switchable between voltage and current input mode.

## Technical Specifications

|                      |   |
|----------------------|---|
| <b>Analog Inputs</b> | 16 x wide input range, analog inputs<br>Software configurable between<br>0 - ±60VDC or 0 - 25mA operation |
| <b>Voltage Mode</b>  | 0 to ±60VDC, 2mV resolution   |
| <b>Current Mode</b>  | 0 to 25mA, 0.38µA resolution  |
| <b>Connectors</b>    | 4 x 5 position pluggable screw terminal, 3.5mm pitch  |
| <b>Configuration</b> | Up to 8 NN-AIN-02 modules = 128 analog inputs   |



4-20 Cachet Woods Court  
Markham ON L6C 3G1  
Canada

[sales@optimatele.com](mailto:sales@optimatele.com)

Tel +1 905 477 0987 Option 1  
Fax +1 905 477 5579

<http://www.OptimaTele.com>