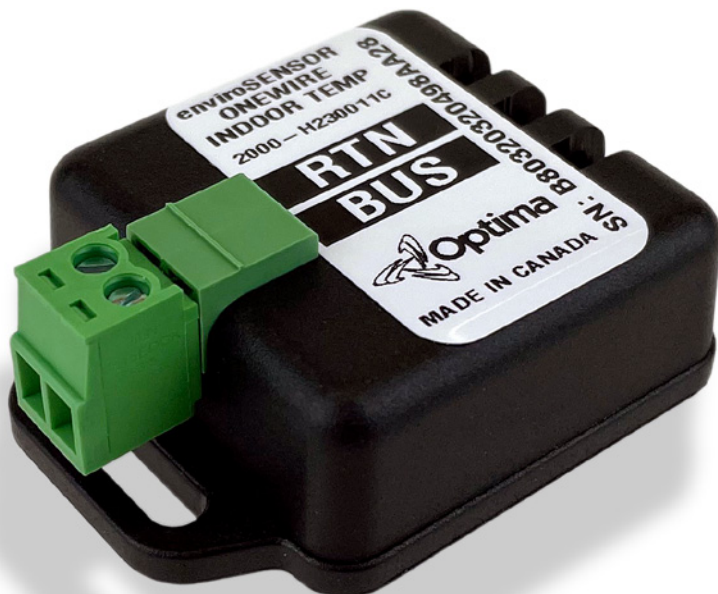




enviro SENS



High Accuracy Indoor Temperature Sensor



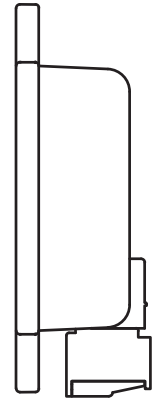
Optima's enviroSENSOR OneWire Indoor Temperature Sensor is a small, easy to deploy sensor.

Operating on a unique digital single pair bus, it supports daisy chaining. This allows the installation of multiple sensors even in demanding applications.

Compatible with a variety of Optima controllers. Can be set to alarm on any temperature threshold within the operating range.

PHYSICAL

Size (HxWxD)	17.75 mm x 36.00 mm x 51.30 mm (0.699" x 1.417" x 2.020")
Weight	13.5 g (0.03 lbs)
Mounting	rack-mount, table top/shelf mounting, wall mounting
Housing	Black ABS



ENVIRONMENTAL

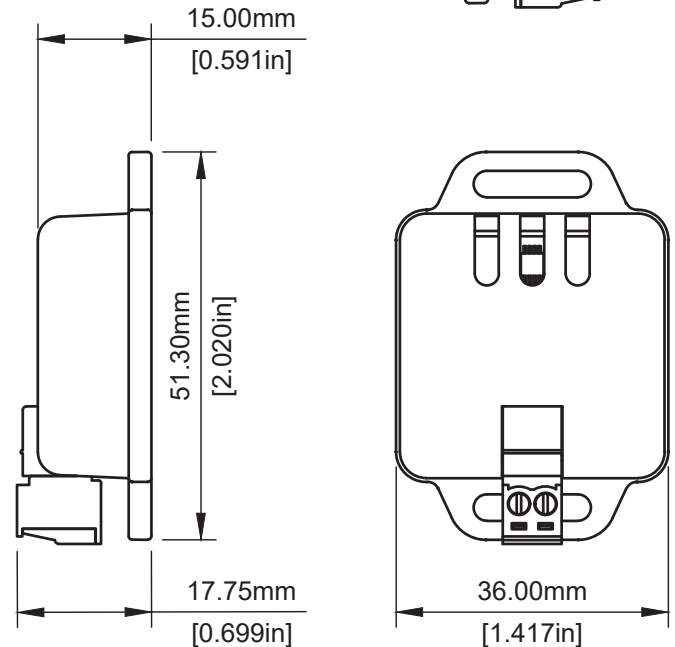
Temperature	-55 °C to +125 °C (-67 °F to +257 °F)
Humidity	Up to 80% relative humidity (non-condensing)

SENSOR

Temperature Range	-55 °C to +125 °C (-67 °F to +257 °F)
Accuracy	±0.5 °C from -10 °C to +85 °C
Resolution	0.0625 °C

INTERFACE

Connector	Removable 2 Position 3.5 mm Screw Terminal Plug
Recommended Wiring	22 to 24 AWG (0.33 mm ² to 0.20 mm ²) CAT3 or CAT5 cable
Identification	Unique 64-bit Serial Number

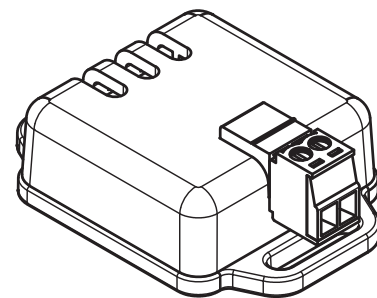


COMPATIBILITY

Controllers	Optima T:LAN, Optima RIO1608R8S4, Optima RIO xR3 and others
-------------	--

ORDERING INFORMATION

2000-H230011C	enviroSENSOR
---------------	--------------



Optima Tele.com, Inc.
4-20 Cachet Woods Court, Markham ON L6C 3G1, Canada
Tel. 905 477 0987 Fax 905 477 5579
Visit our website at: <http://www.OptimaTele.com>

© Copyright 2014-2021 OPTIMA Tele.com, Inc. All rights reserved. Specifications subject to change without prior written notice. All referenced trade names are either trademarks or registered trademarks of their respective companies.

4000-B940003B

Printed in Canada